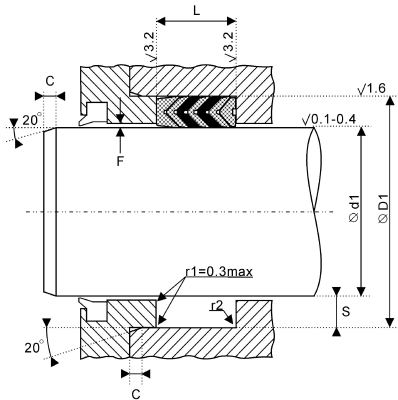




装配例



型式例

截面图	材料	温度范围	压力	速度	特点	代号
	丁腈夹布	-30至100	≤70	≤0.5	耐高压耐脏需预压寿命长, 橡胶件防止泄漏	N6
	氟胶夹布	-20至200				

压环和支撑环有尼龙等工程塑料可供选择

S	倒角C	S	倒角C	压力P	间隙F	尺寸	公差
4	3	12.5	7.5	20	0.4	φ d1	f7
6	3	15	7.5	40	0.3	φ D1	H8
7.5	5	20	10	50	0.2	L	+0.25,0
10	6	25	12.5	70	0.1		

d1	D1	L1	d1	D1	L1	d1	D1	L1	d1	D1	L1	d1	D1	L1
3/8	3/4	3/4	1-1/4	1-3/4	0.82	1-3/4	2-1/4	7/8	2-1/4	2-3/4	1	2-3/4	3-1/2	1-3/16
3/8	7/8	1/2	1-1/4	1-3/4	1	1-3/4	2-1/4	1	2-1/4	2-7/8	1-1/32	2-3/4	3-1/2	1-1/2
1/2	7/8	5/8	1-1/4	1-3/4	1-1/8	1-3/4	2-1/4	1-1/8	2-1/4	2-7/8	1-3/16	2-3/4	3-3/4	2
1/2	1	3/4	1-1/4	1-7/8	1-1/32	1-3/4	2-3/8	0.894	2-1/4	3	1	2.775	3.525	1
1/2	1	7/8	1-1/4	2	1	1-3/4	2-3/8	1-1/32	2-1/4	3	1.13	2.775	3.525	1-1/4
5/8	1	13/16	1-1/4	2-1/4	1	1-3/4	2-3/8	1-1/8	2-1/4	3-1/4	1-1/2	2-7/8	3-3/8	1
5/8	1-1/8	1	1-1/4	2-1/4	1-1/2	1-3/4	2-1/2	1	2-3/8	2-7/8	1	3	3-1/2	5/8
5/8	1-1/4	1-1/4	1-3/8	1-3/4	1-1/16	1-3/4	2-1/2	1.11	2-3/8	3	1-1/32	3	3-1/2	7/8
3/4	1-1/8	3/4	1-3/8	1-7/8	3/4	1-3/4	2-1/2	1-9/16	2-3/8	3	1-3/16	3	3-1/2	7/8
3/4	1-1/8	13/16	1-3/8	1-7/8	1	1-7/8	2-3/8	1-1/8	2-3/8	3-1/8	1-1/4	3	3-1/2	1
3/4	1/1/4	11/16	1-3/8	2	1-1/32	1-7/8	2-1/2	1-1/32	2-1/2	3	3/4	3	3-1/2	1-1/8
3/4	1-1/4	1	1-3/8	2-1/8	1-1/4	1-7/8	2-5/8	1-1/8	2-1/2	3	0.82	3	3-5/8	0.894
3/4	1-3/8	1-1/32	1-1/2	1-7/8	0.82	1-15/16	2-7/16	1-3/16	2-1/2	3	7/8	3	3-5/8	1-1/32
3/4	1-1/2	1-1/8	1-1/2	2	0.82	2	2-3/8	3/4	2-1/2	3	1	3	3-3/4	1
13/16	1-	7/8	1-1/2	2	7/8	2	2-1/2	0.82	2-1/2	3	1-1/8	3	3-3/4	1-3/16
7/8	1-1/4	3/4	1-1/2	2	1	2	2-1/2	7/8	2-1/2	3-1/8	7/8	3	3-3/4	1-3/8
7/8	1-3/8	3/4	1-1/2	2	1-1/8	2	2-1/2	1	2-1/2	3-1/8	1-3/16	3	3-3/4	1-3/8
7/8	1-3/8	1	1-1/2	2	1-1/4	2	2-1/2	1-1/8	2-1/2	3-1/8	1-3/16	3	4	1-1/2
7/8	1-1/2	1-1/32	1-1/2	2-1/8	1.031	2	2-5/8	7/8	2-1/2	3-1/4	1	3-1/4	3-3/4	0.82
1	1-3/8	61/64	1-1/2	2-1/8	1-3/16	2	2-5/8	1-1/32	2-1/2	3-1/4	1.02	3-1/4	3-3/4	1
1	1-3/8	1	1-1/2	2-1/4	1	2	2-3/4	1	2-1/2	3-1/4	1-3/8	3-1/4	3-3/4	1-1/4
1	1-1/2	3/4	1-1/2	2-3/8	1-3/4	2	2-3/4	1-3/16	2-1/2	3-1/2	1-1/4	3-1/4	3-7/8	1
1	1-1/2	1	1-1/2	2-1/2	1-1/4	2	2-3/4	1-3/8	2-5/8	3-1/8	7/8	3-1/4	4	1-3/16
1	1-1/2	1-1/8	1-1/2	2-1/2	1-1/2	2	3	1-1/2	2-5/8	3-1/8	1-3/8	3-1/4	4	1-3/8
1	1-5/8	1-1/32	1-5/8	2-1/8	3/4	2-1/8	2-5/8	7/8	2-5/8	3-1/4	1.11	3-1/4	4	1-9/16
1	1-3/4	1	1-5/8	2-1/8	1	2-1/8	2-3/4	1-1/32	2-5/8	3-3/8	1-3/16	3-1/4	4-1/4	1-1/2
1-1/8	1-5/8	7/8	1-5/8	2-1/8	1-1/8	2-1/8	2-7/8	1-3/16	2-3/4	3-1/4	7/8	3.275	4.025	1.187
1-1/8	1-3/4	1-1/32	1-5/8	2-1/4	7/8	2-1/8	2-7/8	1-3/8	2-3/4	3-1/4	1	3-3/8	3-7/8	1
1-3/16	1-9/16	1-1/4	1-5/8	2-1/4	1-1/32	2-3/16	2-15/16	1-9/16	2-3/4	3-3/8	1-1/32	3-3/8	3-7/8	1-1/8
1-3/16	1-11/16	7/8	1-3/4	2-1/8	7/8	2-3/16	2-15/16	3 Vees	2-3/4	3-1/2	1	3-3/8	4	7/8
1-1/4	1-3/4	3/4	1-3/4	2-1/4	0.82	2-1/4	2-3/4	0.82	2-3/4	3-1/2	1.15	3-3/8	4	1-1/32

5至7组V形夹布圈 N6



d1	D1	L1	d1	D1	L1	d1	D1	L1	d1	D1	L1	d1	D1	L1
3-3/8	4-1/8	1	4-3/4	5-1/4	1	7	8	1-1/4						
3-3/8	4-1/8	1-3/16	4-3/4	5-1/2	1-3/16	7	8	2						
3-1/2	4	3/4	4-3/4	5-1/2	1-3/8	7-1/4	7-3/4	7/8						
3-1/2	4	0.82	4-3/4	5-1/2	1-3/4	7-1/2	8	1						
3-1/2	4	1	4-3/4	5-5/8	1-1/2	7-1/2	8-1/8	1-1/4						
3-1/2	4	1-1/2	5	5-1/2	7/8	7-1/2	8-1/4	1-3/32						
3-1/2	4-1/4	1	5	5-1/2	1	8	8-1/2	3/4						
3-1/2	4-1/4	1-3/16	5	5-1/2	1-1/8	8	8-1/2	1						
3-1/2	4-1/4	1-1/2	5	5-5/8	1-1/32	8	8-3/4	1-3/16						
3-1/2	4-1/2	1-1/4	5	5-3/4	1-1/2	8	9	2						
3-1/2	5	2-1/4	5	5-7/8	1-5/16	8-1/8	8-5/8	1-1/8						
3-3/4	4-1/4	0.82	5	6	1-1/4	8-1/4	8-3/4	1-1/8						
3-3/4	4-1/4	1	5	6	1-3/4	8-1/2	9	1						
3-3/4	4-3/8	7/8	5-1/8	5-5/8	1	8-1/2	9-1/2	1-7/8						
3-3/4	4-3/8	1-1/16	5-1/8	5-5/8	1-1/8	8-3/4	9-3/8	1-1/4						
3-3/4	4-1/2	1-3/16	5-1/4	5-3/4	1-1/4	9	9-1/2	1-1/4						
3-3/4	4-1/2	1-3/8	5-1/4	6	1-3/16	9	10	1-7/8						
3-7/8	4-3/8	3/4	5-1/4	6-1/4	1.22	9-1/2	10	1						
4	4-1/2	1	5-3/8	6-1/4	1-1/2	9-1/2	10-1/4	1-3/16						
4	4-1/2	1-1/8	5-1/2	6	3/4	9-1/2	10-1/2	1-7/8						
4	4-3/4	1-3/16	5-1/2	6	1	10	11	1-7/8						
4	4-7/8	1-1/8	5-1/2	6-1/4	1-3/4	10-1/2	11	1						
4	4-7/8	1-5/16	5-1/2	6-1/2	1-1/4	10-1/2	11-1/2	1-7/8						
4	4-7/8	1-3/4	5-1/2	6-1/2	1-3/4	1-1/16	1-9/16	1						
4	5	1-5/16	5-3/4	6-1/4	1	11	12	1-7/8						
4	5	1-3/8	5-3/4	6-1/4	1-1/8	12	13	1-7/8						
4	5	1-9/16	5-3/4	6-1/2	1	14	15	1-7/8						
4-1/16	4-13/16	1	5-3/4	6-1/2	1-3/8									
4-1/4	4-3/4	1	5-3/4	6-3/4	1-3/4									
4-1/4	4-3/4	1-1/4	6	6-1/2	1									
4-1/4	5	1	6	6-1/2	1-1/8									
4-1/4	5	1-1/2	6	6-3/4	1									
4-1/4	5	1-5/8	6	7	1-1/2									
4-1/4	5-1/8	1-1/2	6	7-1/4	1-3/4									
4-1/4	5-1/4	1-5/8	6-1/4	6-7/8	1-1/4									
4-3/8	4-7/8	1	6-1/4	7	1-3/16									
4-1/2	5	1	6-1/2	7	1									
4-1/2	5-1/8	1-3/8	6-1/2	7-1/4	1-3/8									
4-1/2	5-1/4	1	6-1/2	7-1/2	1-1/2									
4-1/2	5-1/4	1-1/2	6-3/4	7-1/4	1									
4-1/2	5-3/8	1-3/8	6-3/4	7-3/8	1-1/4									
4-1/2	5-1/2	1-1/4	6-3/4	7-1/2	1-3/16									
4-5/8	5-1/4	1	7	7-1/2	1									
4-3/4	5-1/4	7/8	7	7-1/2	1-1/8									